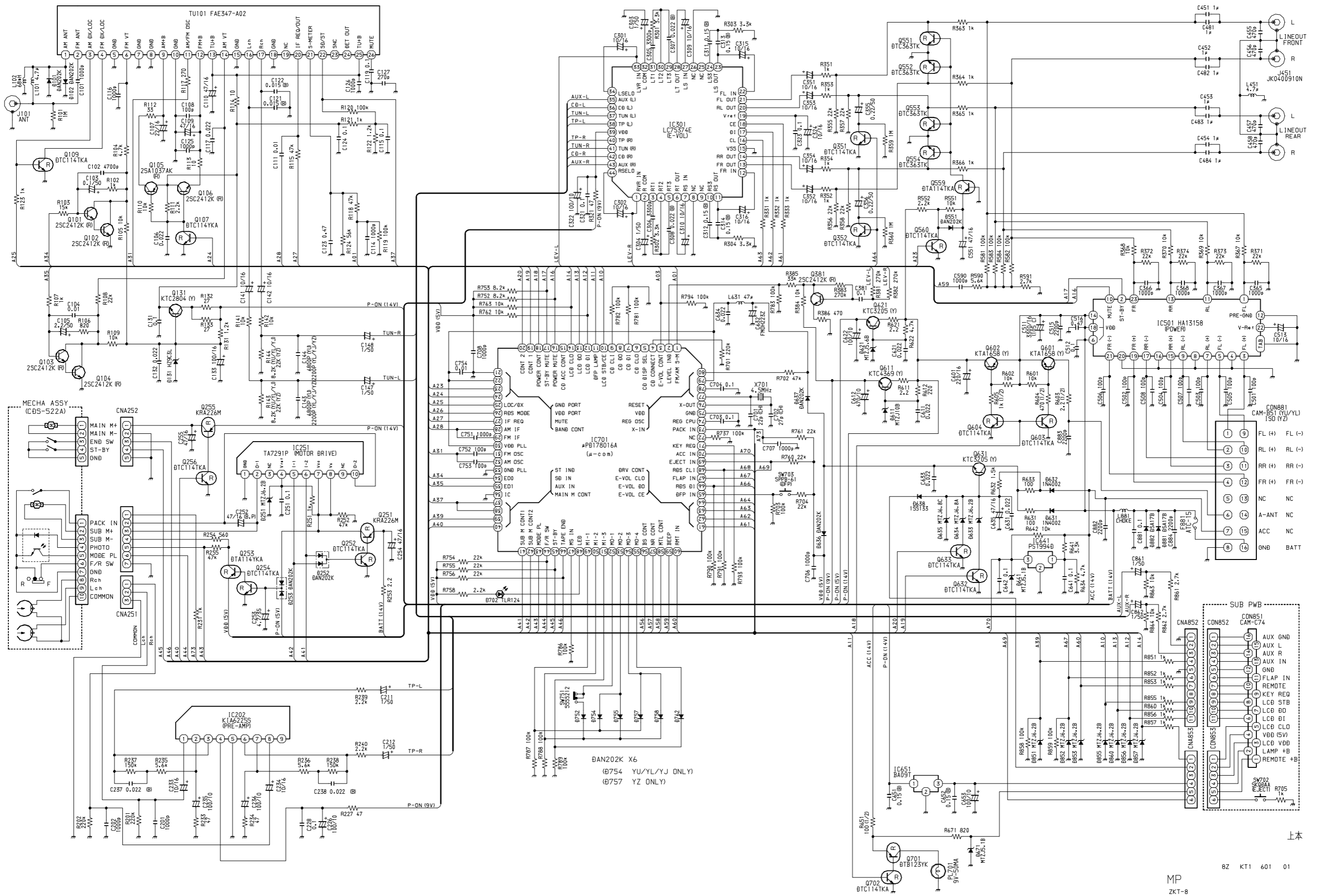


SCHEMATIC DIAGRAM - 1<CT-FX719>



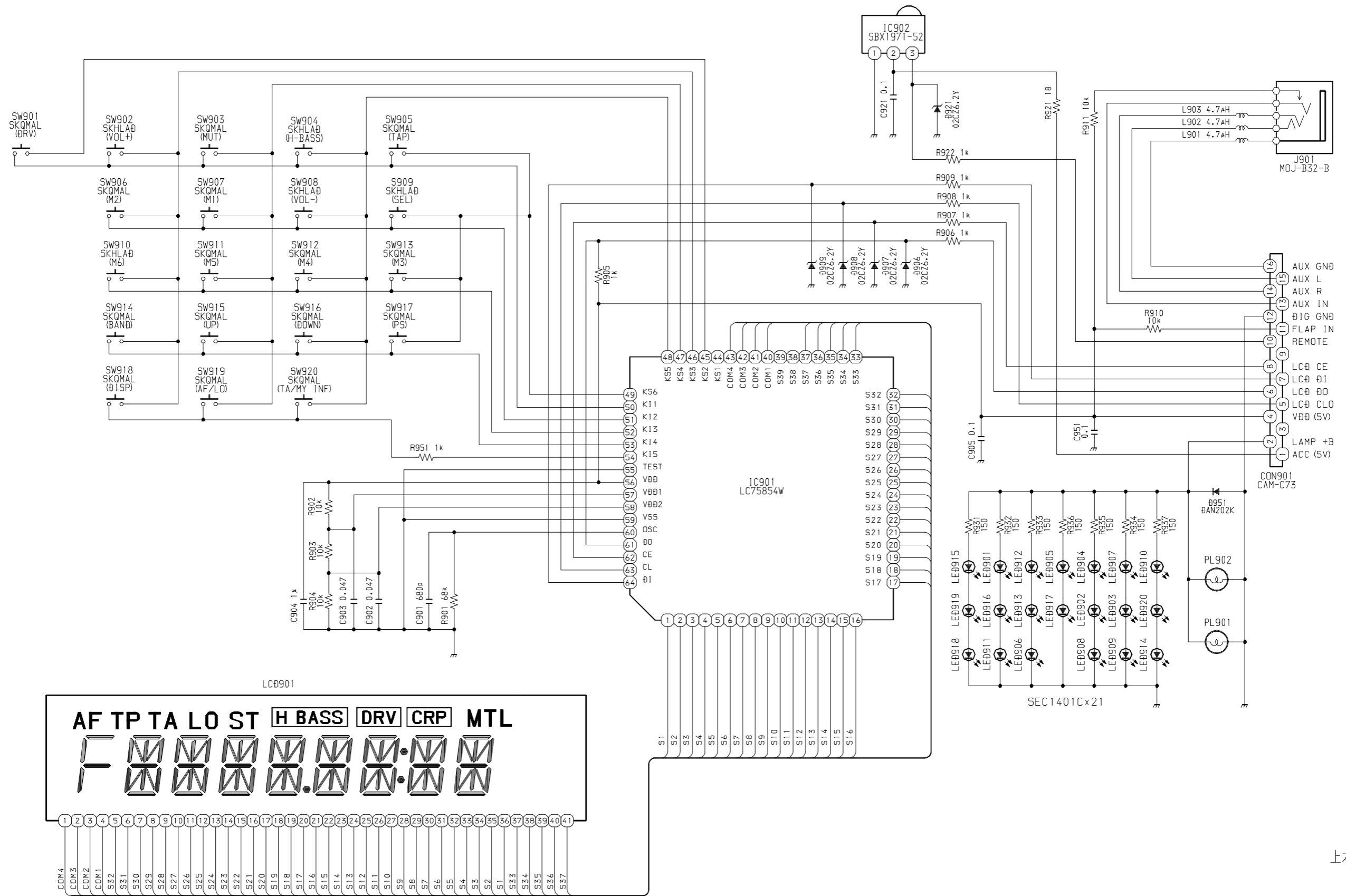
ZKT-8 (P1)

MP
ZKT-8

82 KT1 601 01

26 DEC 1998

SCHEMATIC DIAGRAM - 2<CT-FX719>



上本

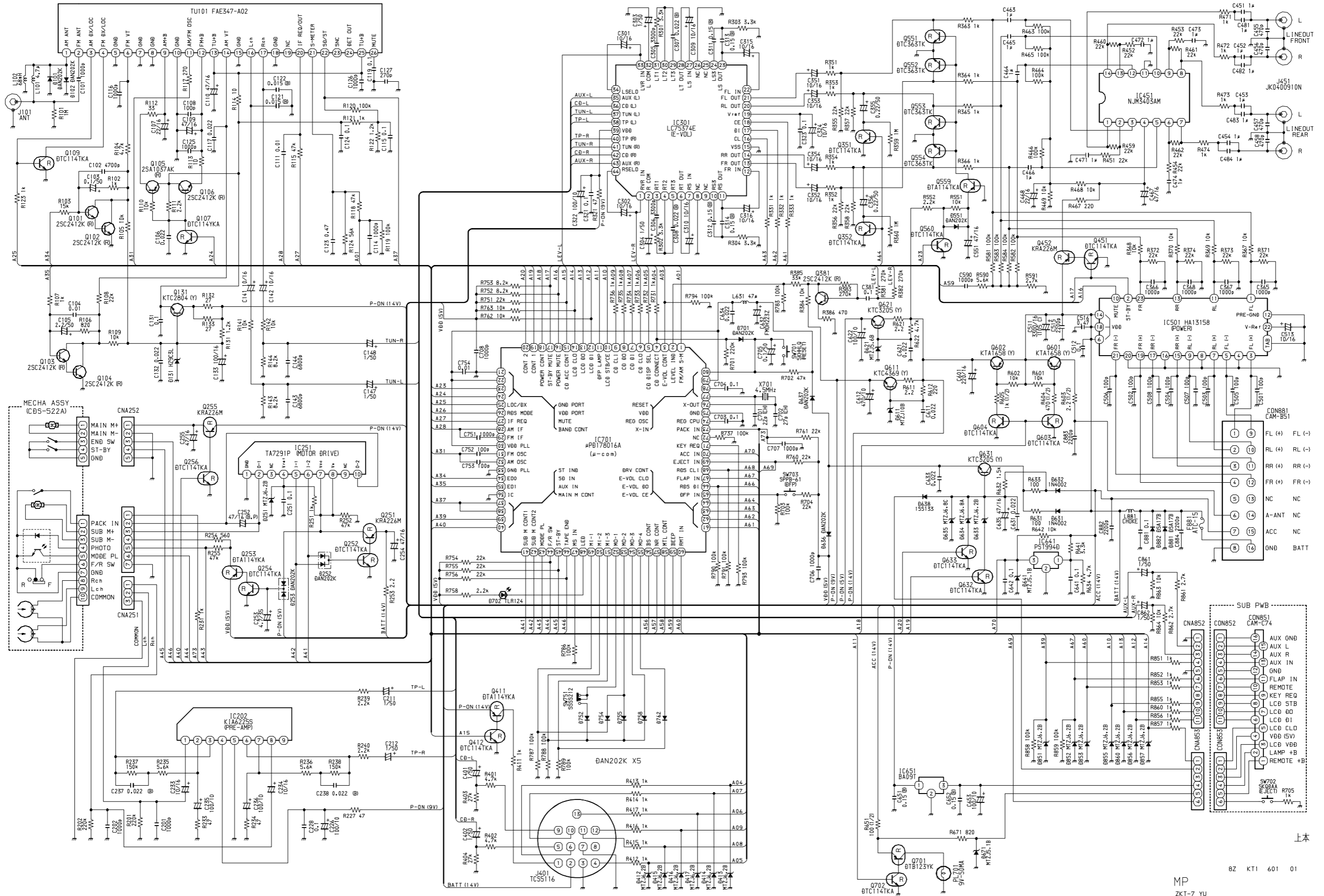
8Z KT3 604 01

MP
ZKT-8

ZKT-8 (P2)

26 DEC 1998

SCHEMATIC DIAGRAM - 1<CT-FX729M>



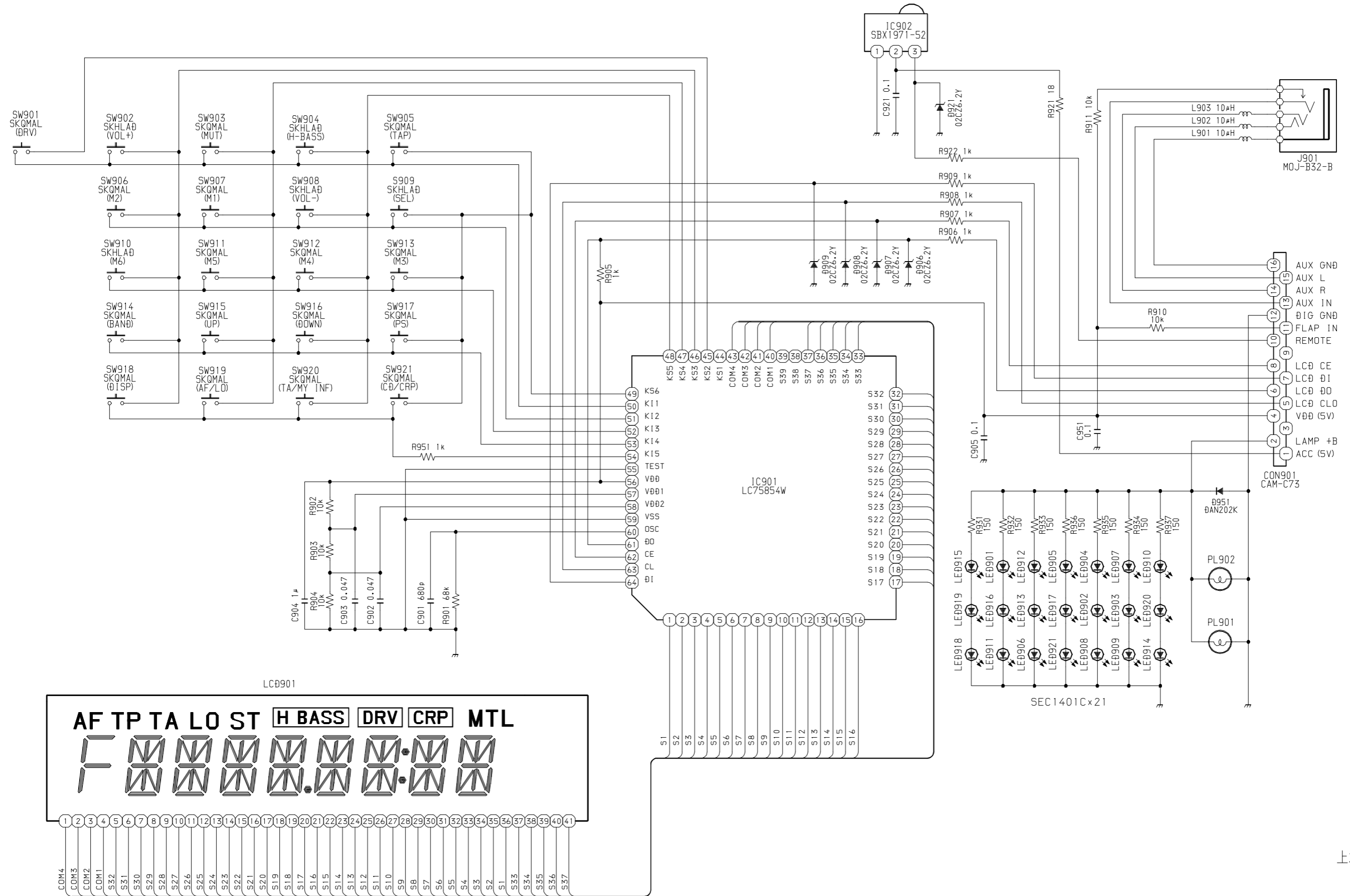
ZKT-7 YU (P1)

MP
ZKT-7 YU

8Z KT1 601 01

26 DEC 1998

SCHEMATIC DIAGRAM – 2<CT-FX729M>



上本

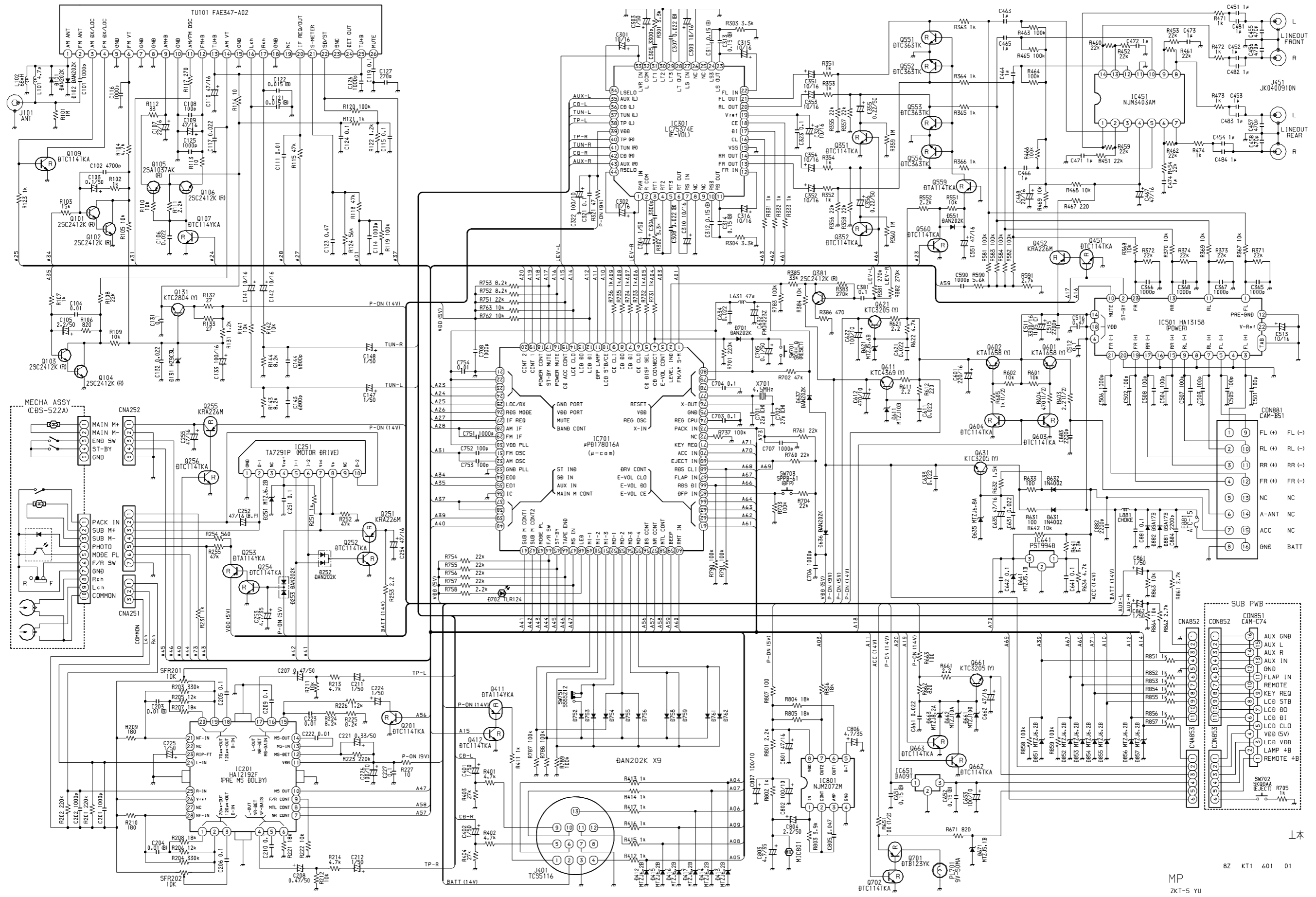
8Z KT3 604 01

ZKT-7 YU (P2)

ZKT-7 YU

26 DEC 1998

SCHEMATIC DIAGRAM - 1<CT-FX929M>



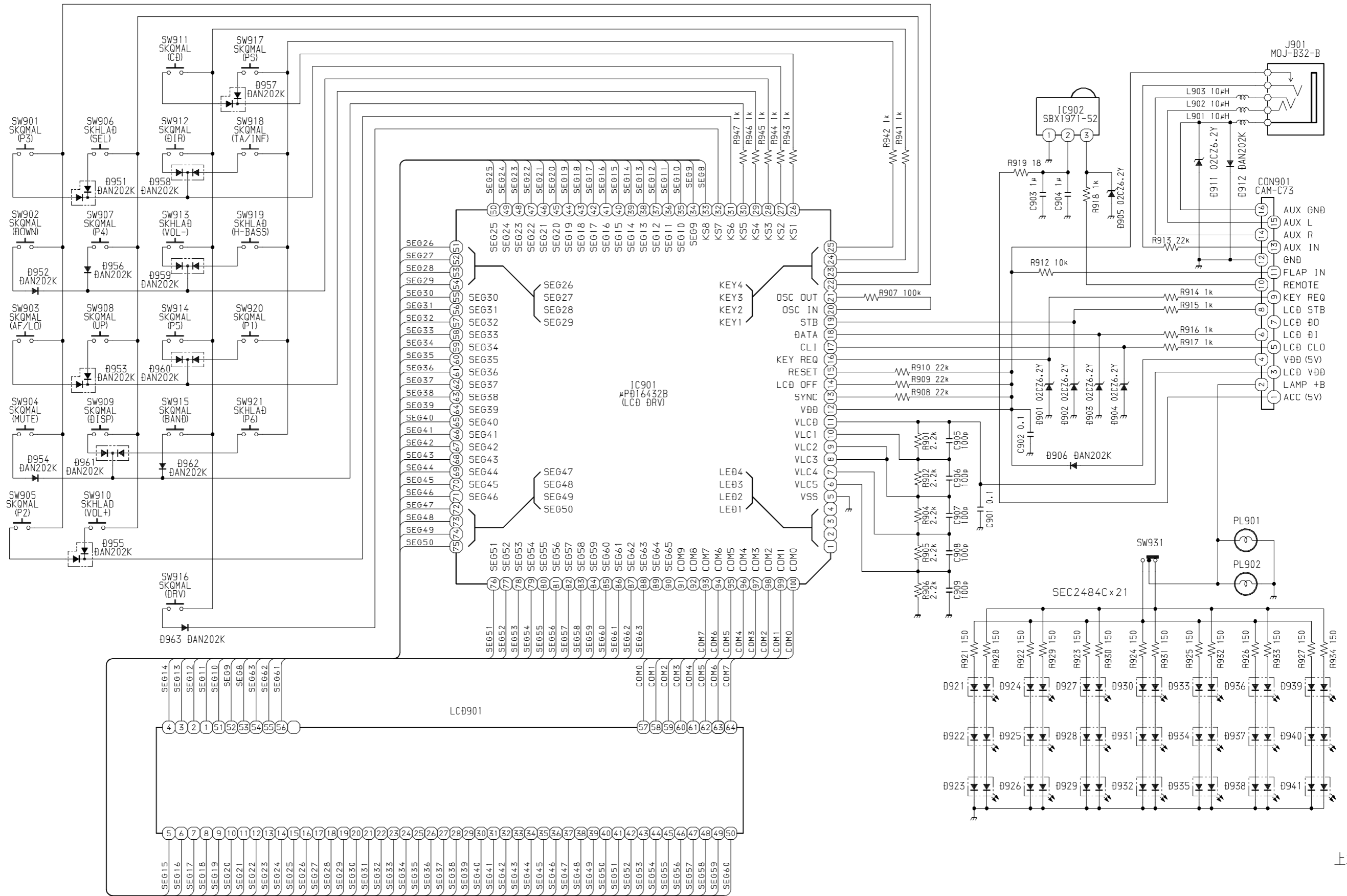
ZKT-5 YU (P1)

MP
ZKT-5 YU

8Z KT1 601 01

26 DEC 1998

SCHEMATIC DIAGRAM - 2 <CT-FX929M>



上本

82 KT1 604 01

MP
ZKT-5 YU

ZKT-5 YU (P2)

26 DEC 1991