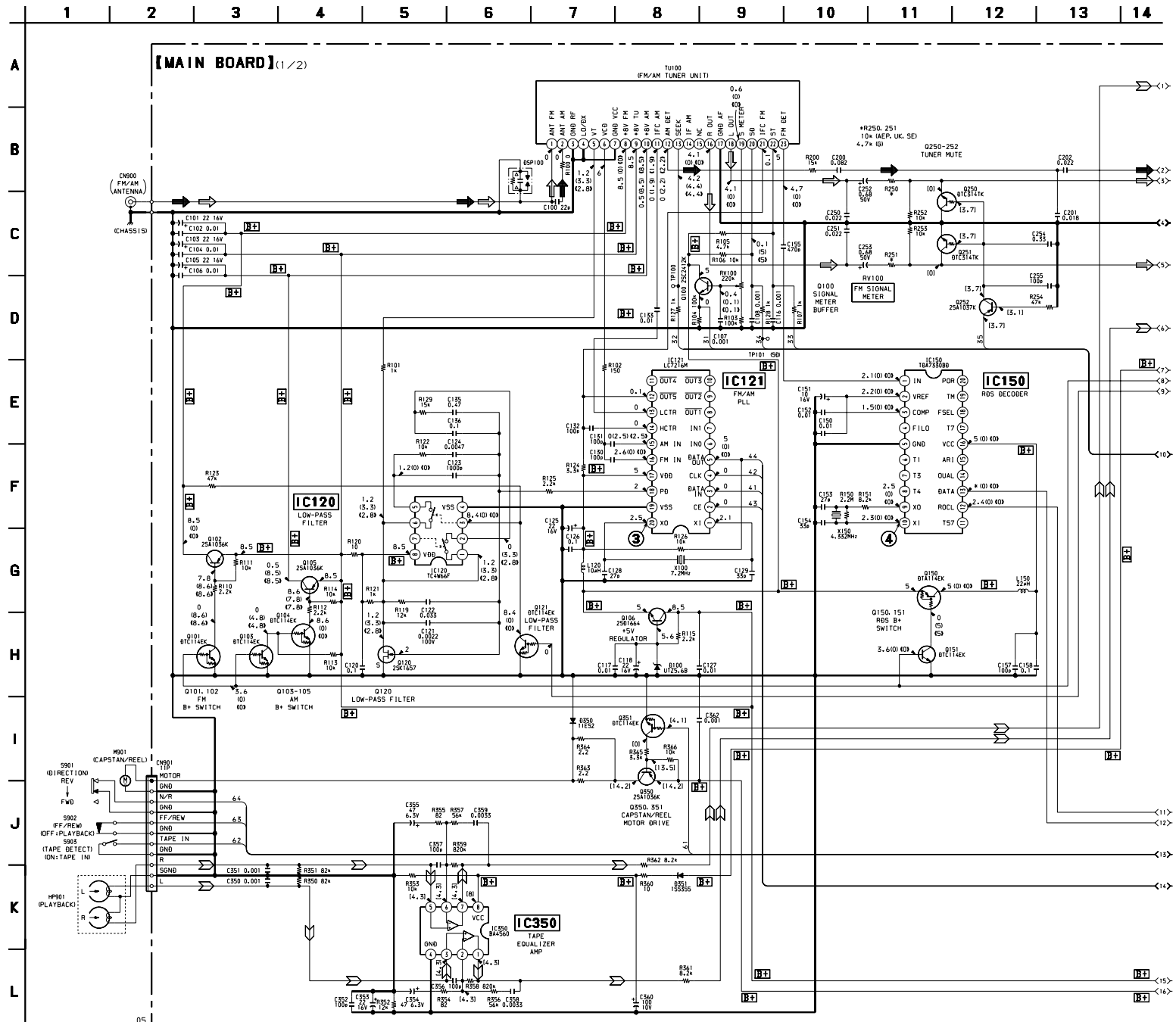
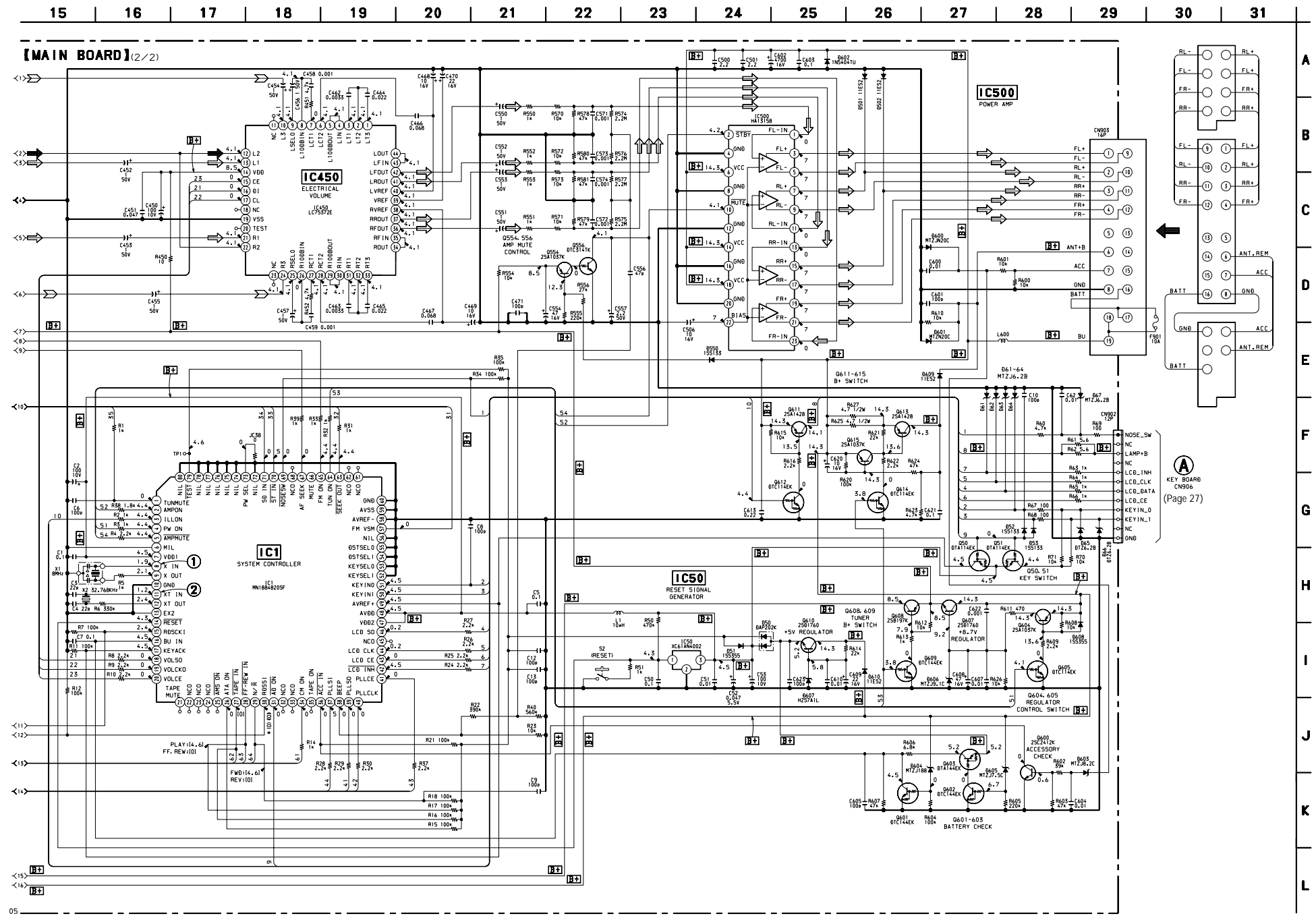


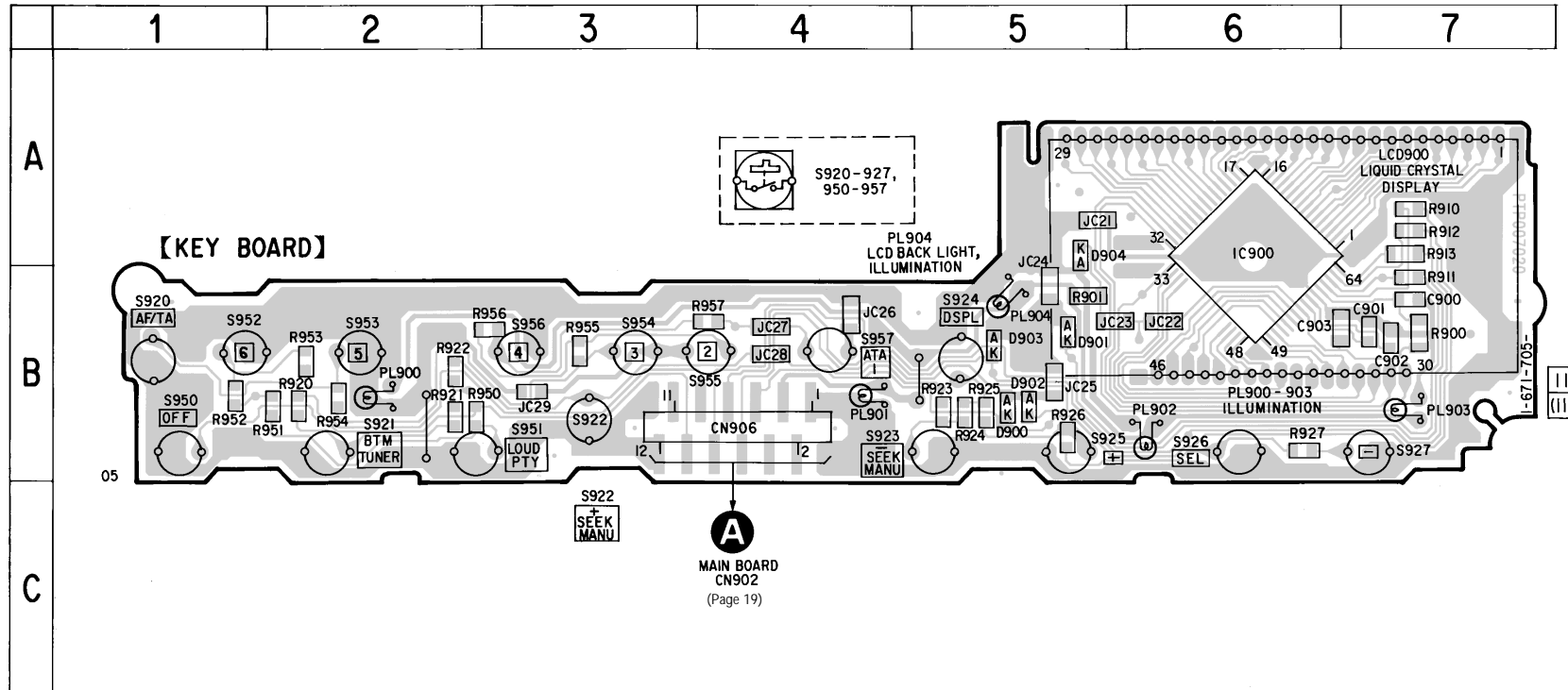
5-3. SCHEMATIC DIAGRAM – MAIN Section (1/2) – • See page 18 for Waveforms. • See page 29 for IC Block Diagrams.



5-4. SCHEMATIC DIAGRAM – MAIN Section (2/2) – • See page 18 for Waveforms. • See page 29 for IC Block Diagrams.



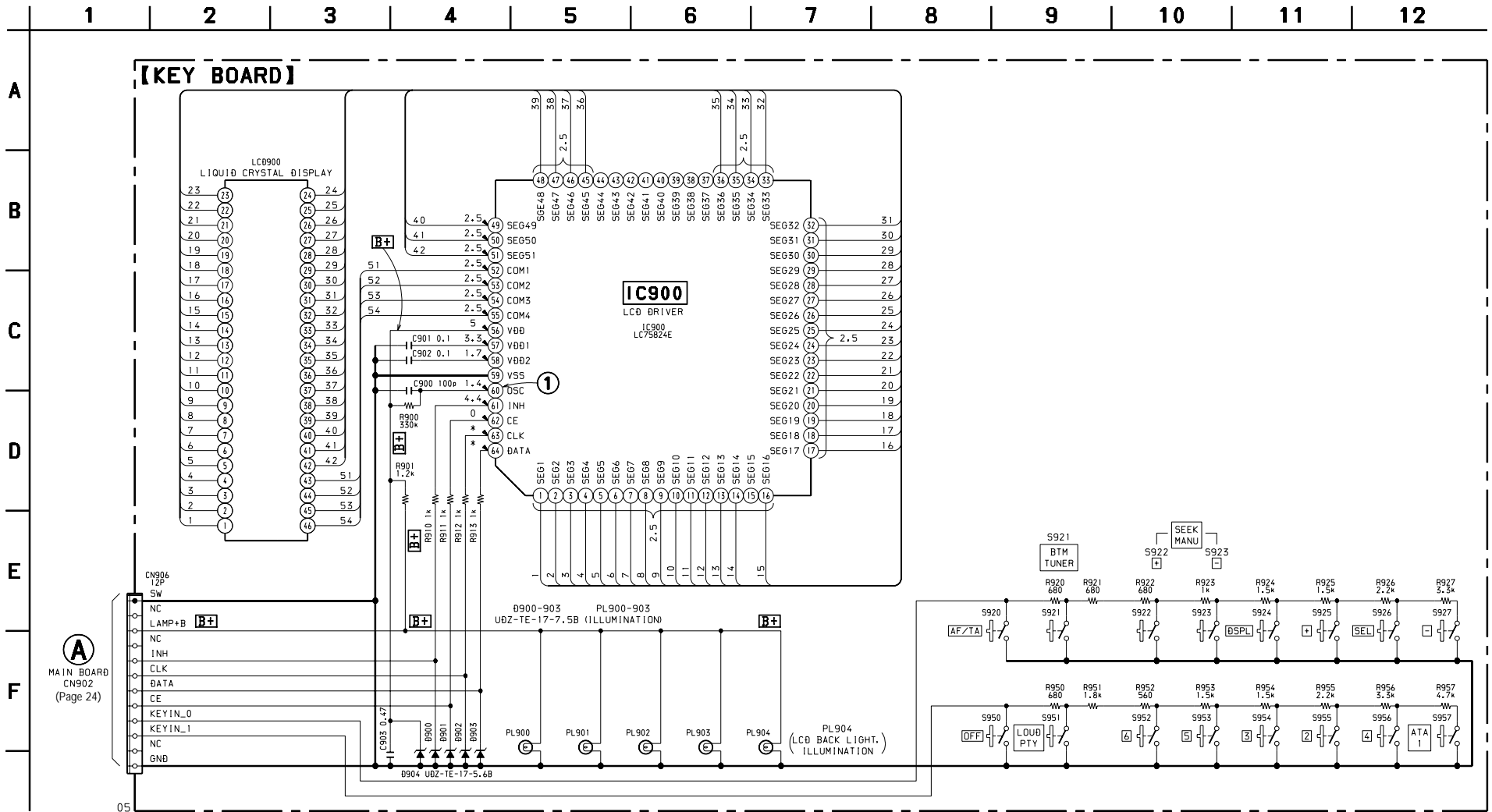
5-5. PRINTED WIRING BOARD - PANEL Section -



• Semiconductor Location

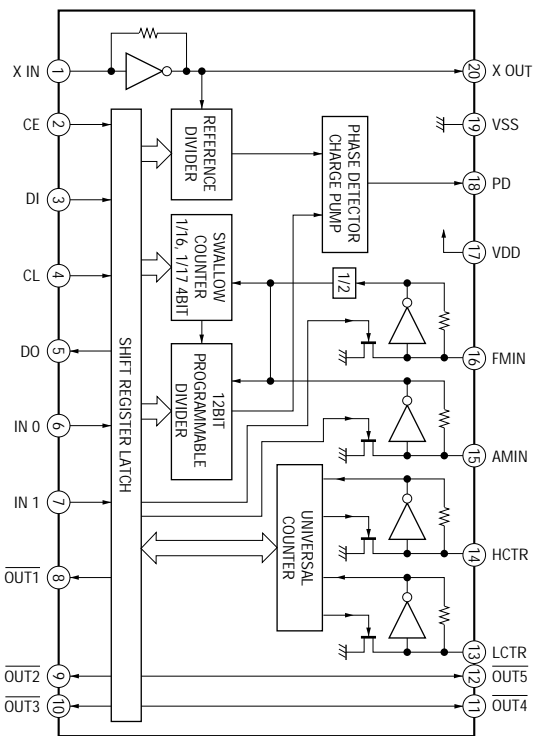
Ref. No.	Location
D900	B-5
D901	B-5
D902	B-5
D903	B-5
D904	A-5
IC900	A-6

5-6. SCHEMATIC DIAGRAM – PANEL Section – • See page 18 for Waveform.



• IC Block Diagrams
- MAIN Board -

IC121 LC7216M



IC150 TDA7330BD-013TR

