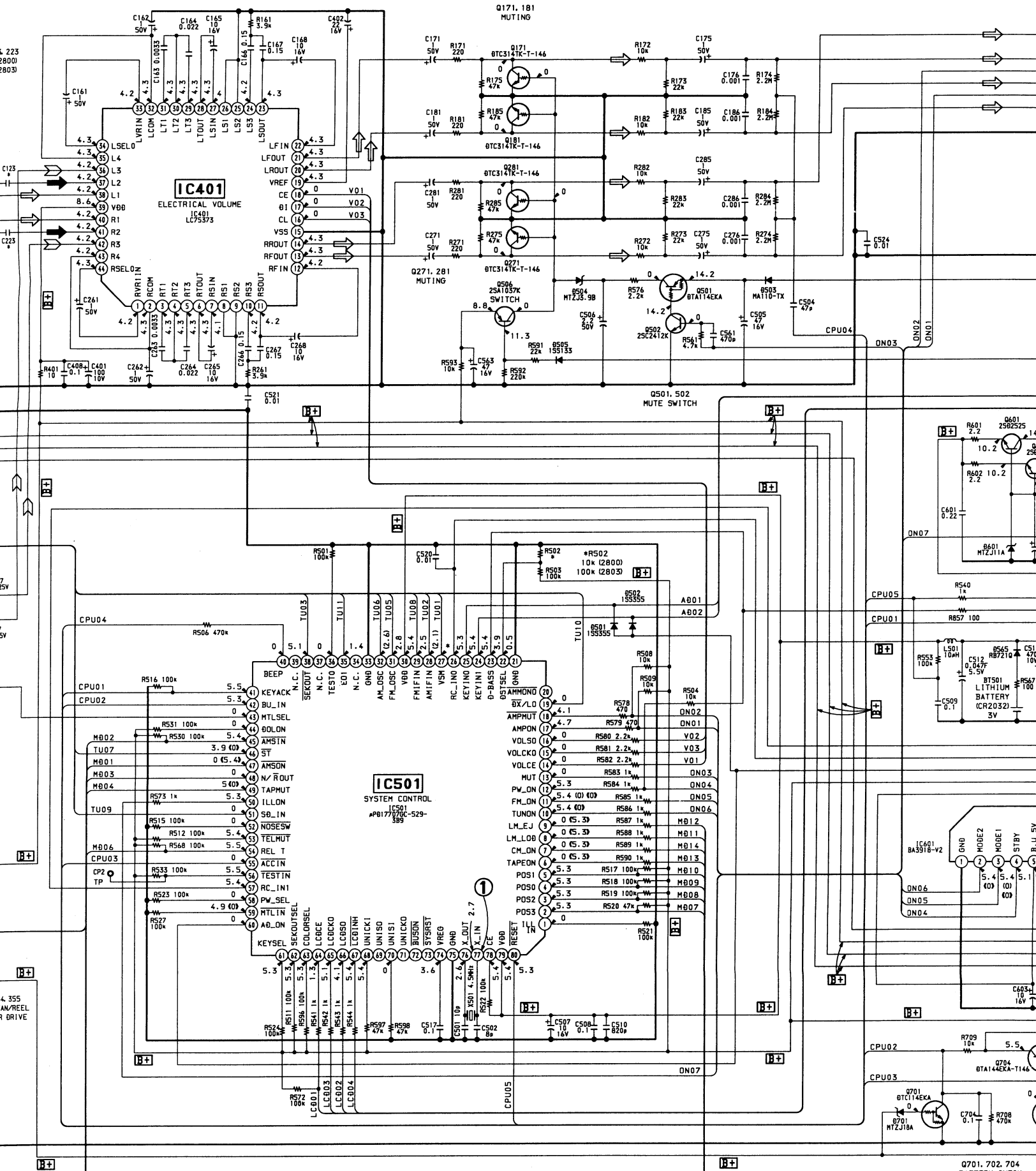
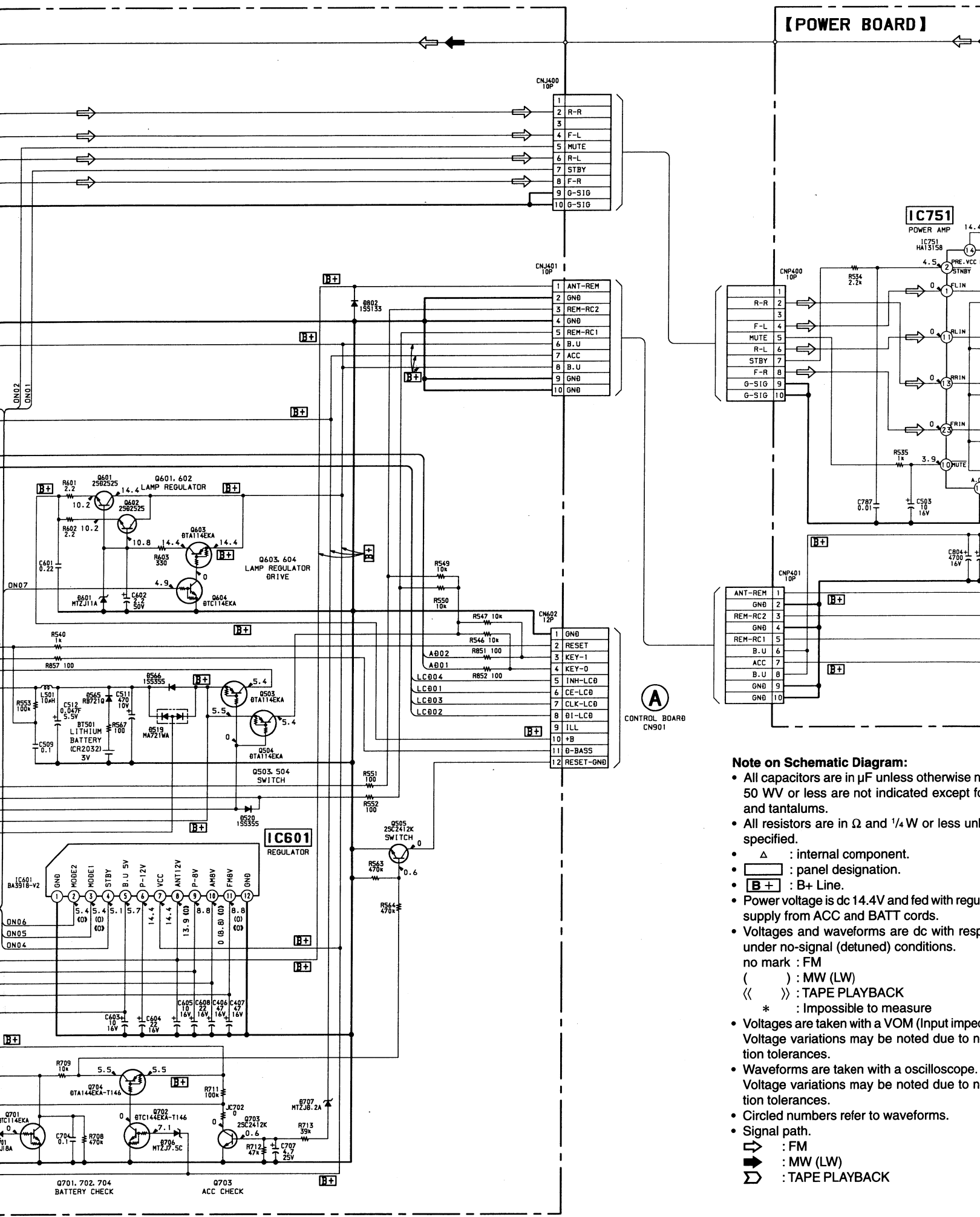
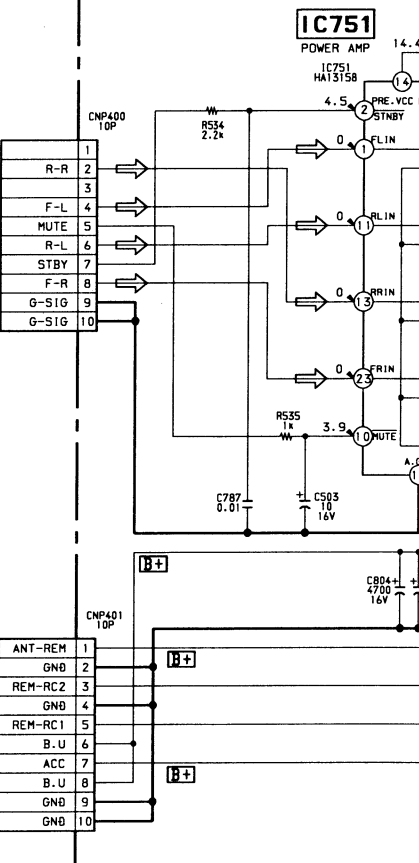


ction Description.



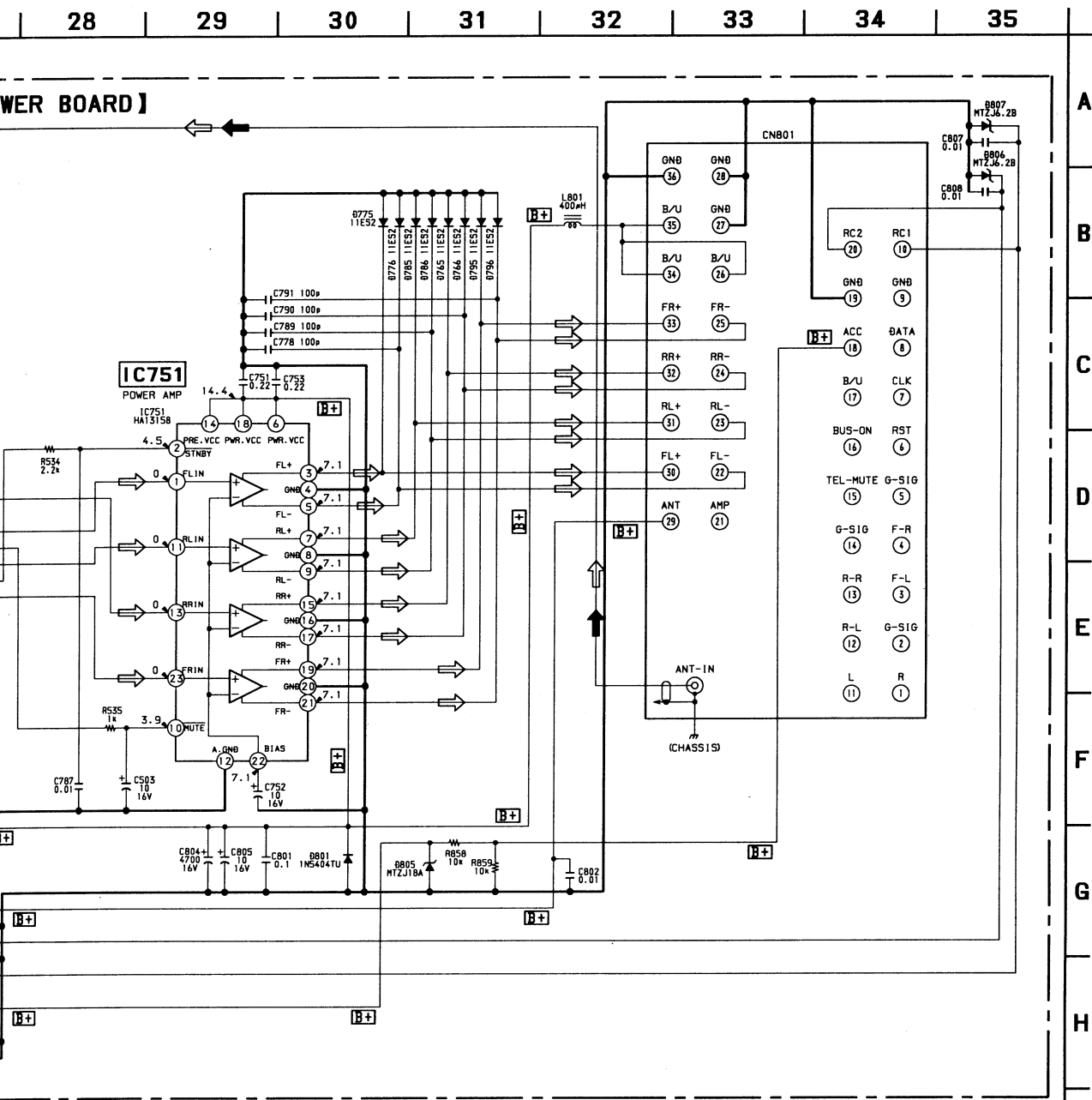


[POWER BOARD]



- Note on Schematic Diagram:**
- All capacitors are in μF unless otherwise noted. 50 WV or less are not indicated except for electrolytics and tantalums.
 - All resistors are in Ω and $1/4\text{ W}$ or less unless otherwise specified.
 - Δ : internal component.
 - \square : panel designation.
 - $\text{B}+$: B+ Line.
 - Power voltage is dc 14.4V and fed with regulated supply from ACC and BATT cords.
 - Voltages and waveforms are dc with respect to ground under no-signal (detuned) conditions.
 - no mark : FM
 - () : MW (LW)
 - << >> : TAPE PLAYBACK
 - * : Impossible to measure
 - Voltages are taken with a VOM (Input impedance $> 10\text{ k}\Omega$). Voltage variations may be noted due to component tolerances.
 - Waveforms are taken with an oscilloscope. Voltage variations may be noted due to component tolerances.
 - Circled numbers refer to waveforms.
 - Signal path.
 - \Rightarrow : FM
 - \Rightarrow : MW (LW)
 - \Rightarrow : TAPE PLAYBACK

(A)
CONTROL BOARD
CN901



Schematic Diagram:

Values in μF unless otherwise noted. pF: μpF
Resistor values are not indicated except for electrolytics.
Capacitor values are in Ω and $1/4 \text{ W}$ or less unless otherwise

Normal component.
Component designations.
Line.

Power is dc 14.4V and fed with regulated dc power
from ACC and BATT cords.

Waveform waveforms are dc with respect to ground
under normal (detuned) conditions.

Measurements (LW)
Measurements (LW) PE PLAYBACK

Measurements possible to measure
Measurements taken with a VOM (Input impedance 10 $\text{M}\Omega$).

Measurements variations may be noted due to normal produc-

Measurements tions.
Measurements are taken with an oscilloscope.

Measurements variations may be noted due to normal produc-

Measurements tions.
Measurements refer to waveforms.

Measurements (LW)
Measurements (LW) PE PLAYBACK

