

# AUTORADIO

**Verona CR 43**  
 7 642 752 013  
**Verona CR 43 (Honda)**  
 7 642 752 090

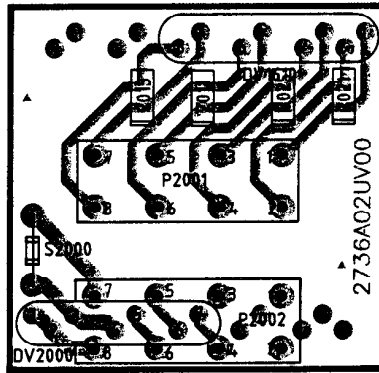
3 D93 240 001 BN 01/93

Schaltbild • Circuit diagramm • Schema du poste • Esquema del aparato

Connector Board  
 PL 74  
 + CHIP



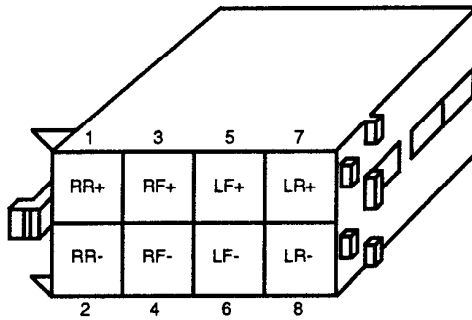
VKD 27 36



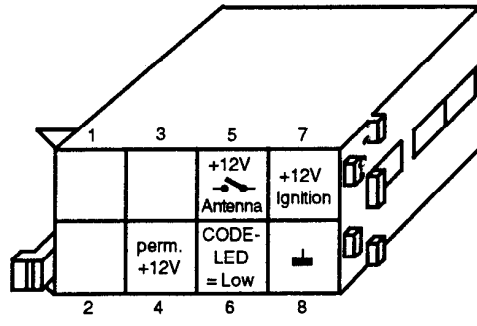
| DV1610 |     |
|--------|-----|
| 1 =    | RR+ |
| 2 =    | RR- |
| 3 =    | RF+ |
| 4 =    | RF- |
| 5 =    | LF+ |
| 6 =    | LF- |
| 7 =    | LR+ |
| 8 =    | LR- |

| DV2000 |          |
|--------|----------|
| 1 =    | Ground   |
| 2 =    | Ground   |
| 3 =    | U14      |
| 4 =    | U14      |
| 5 =    | Code LED |
| 6 =    |          |
| 7 =    | UD       |

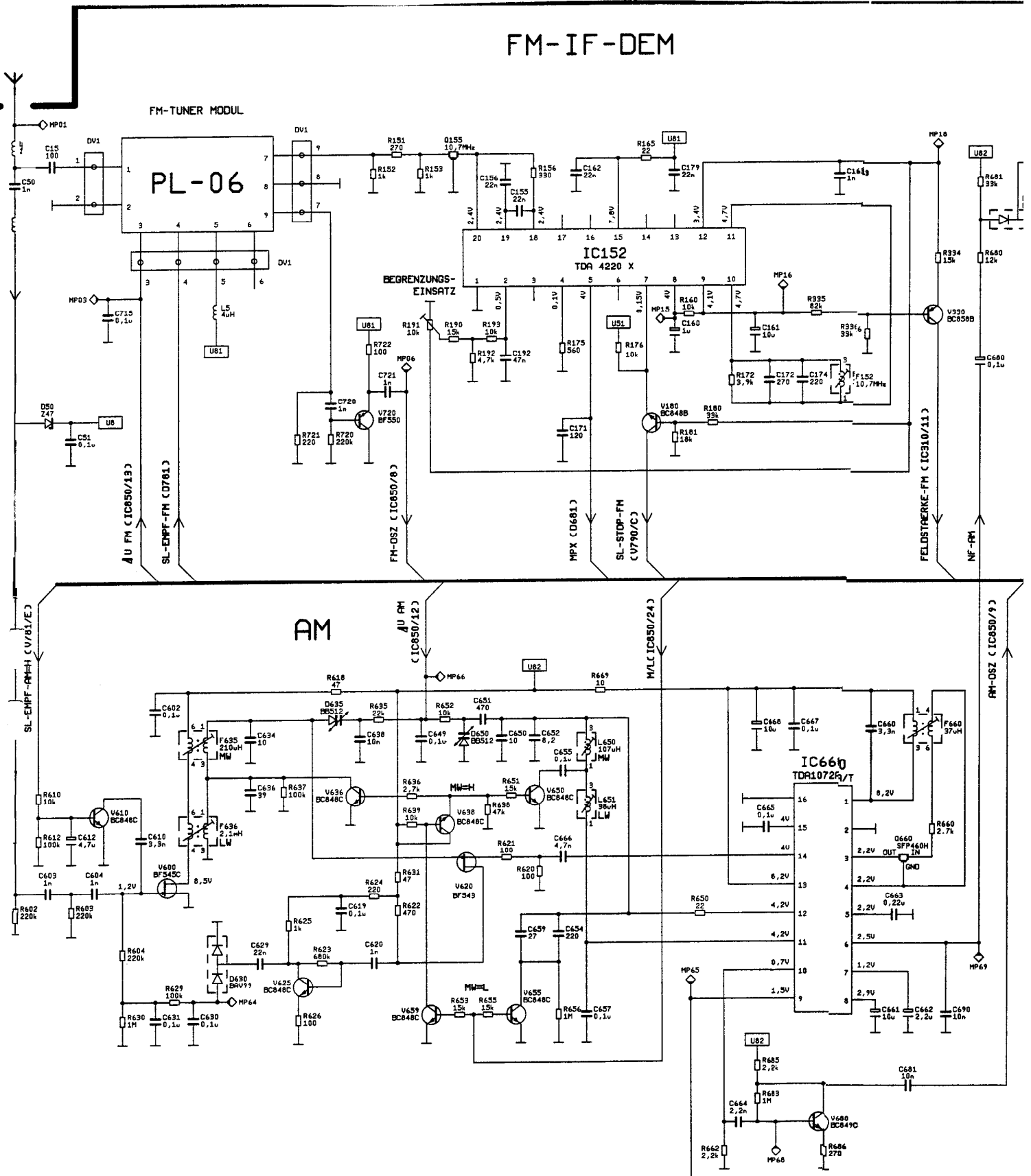
N 2001



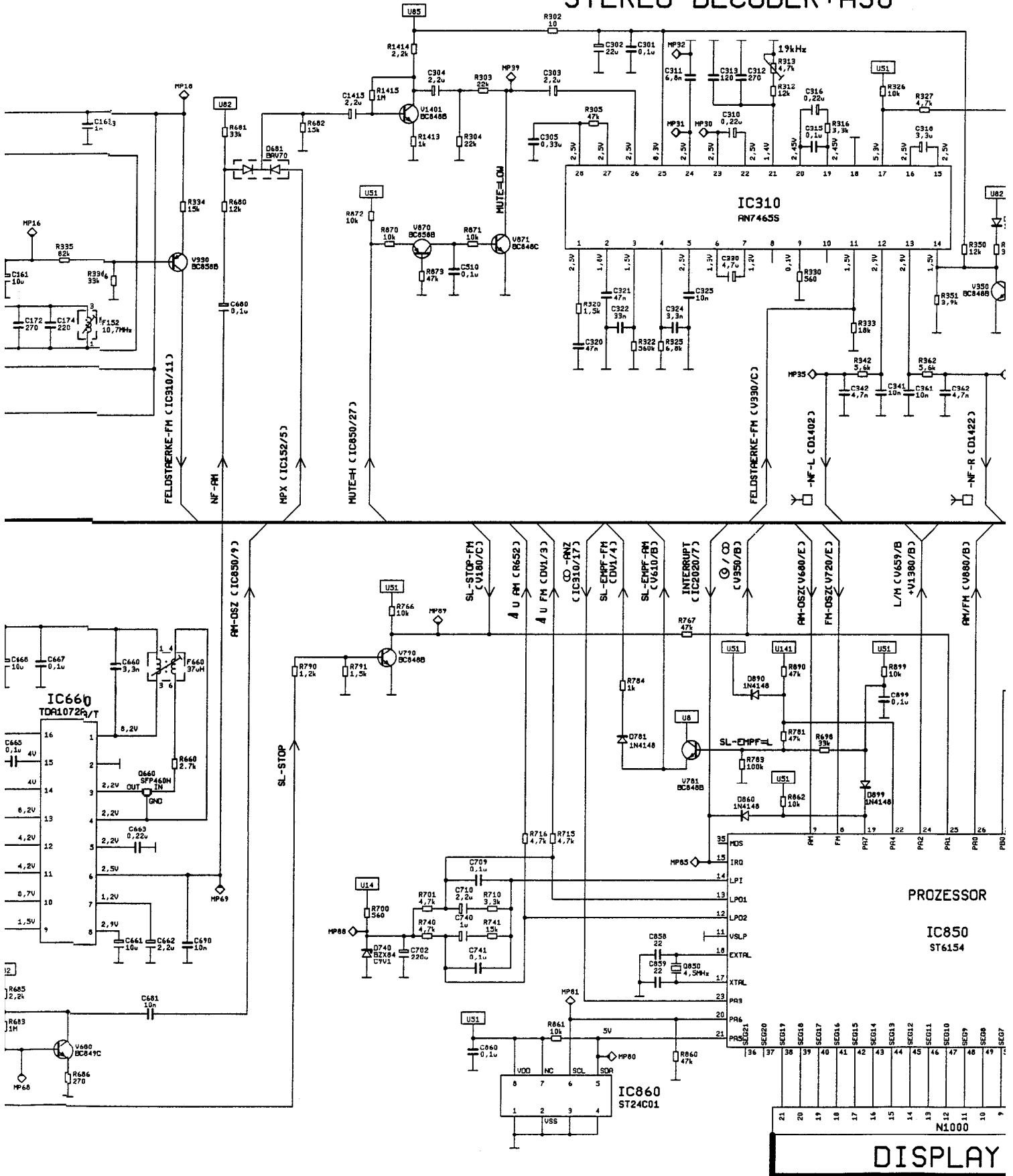
N 2002



# FM-IF-DEM

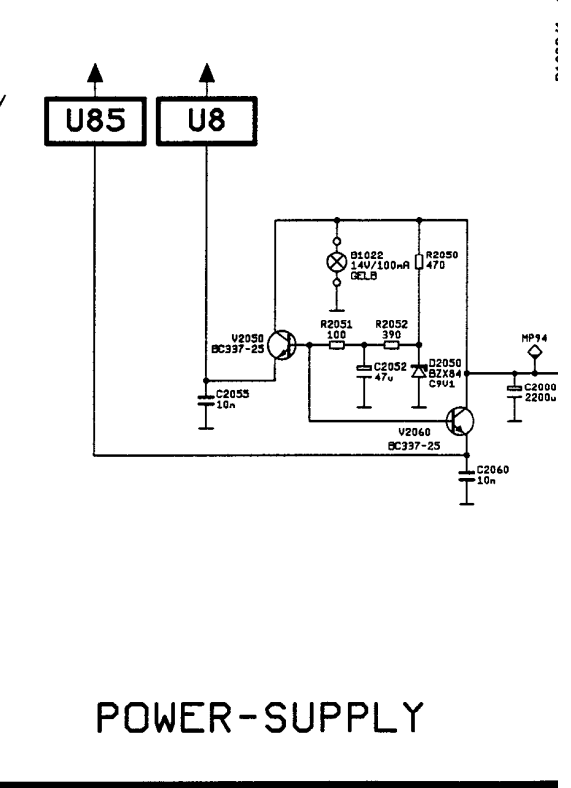
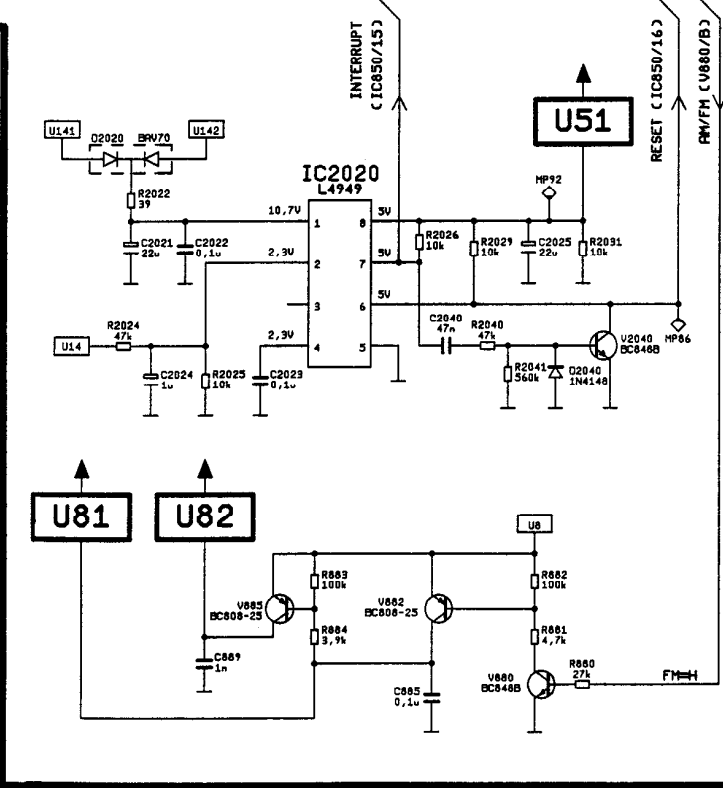
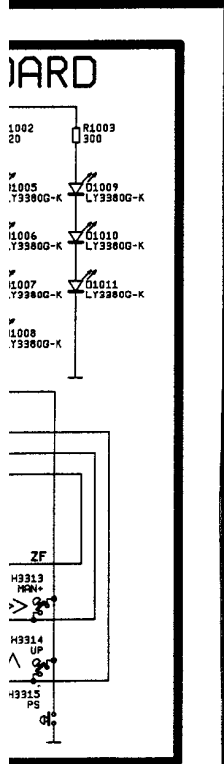
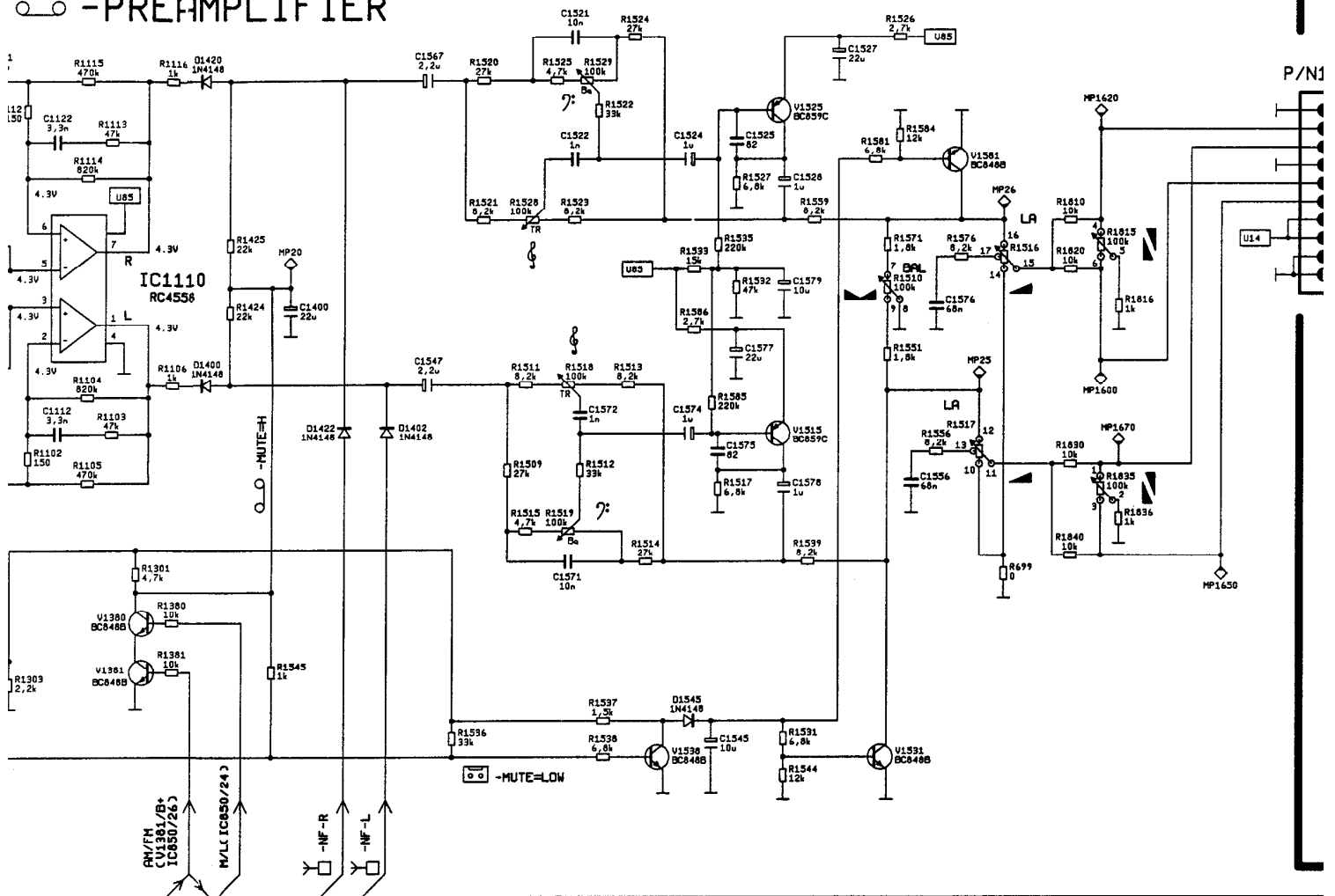


# STEREO-DECODER+ASU





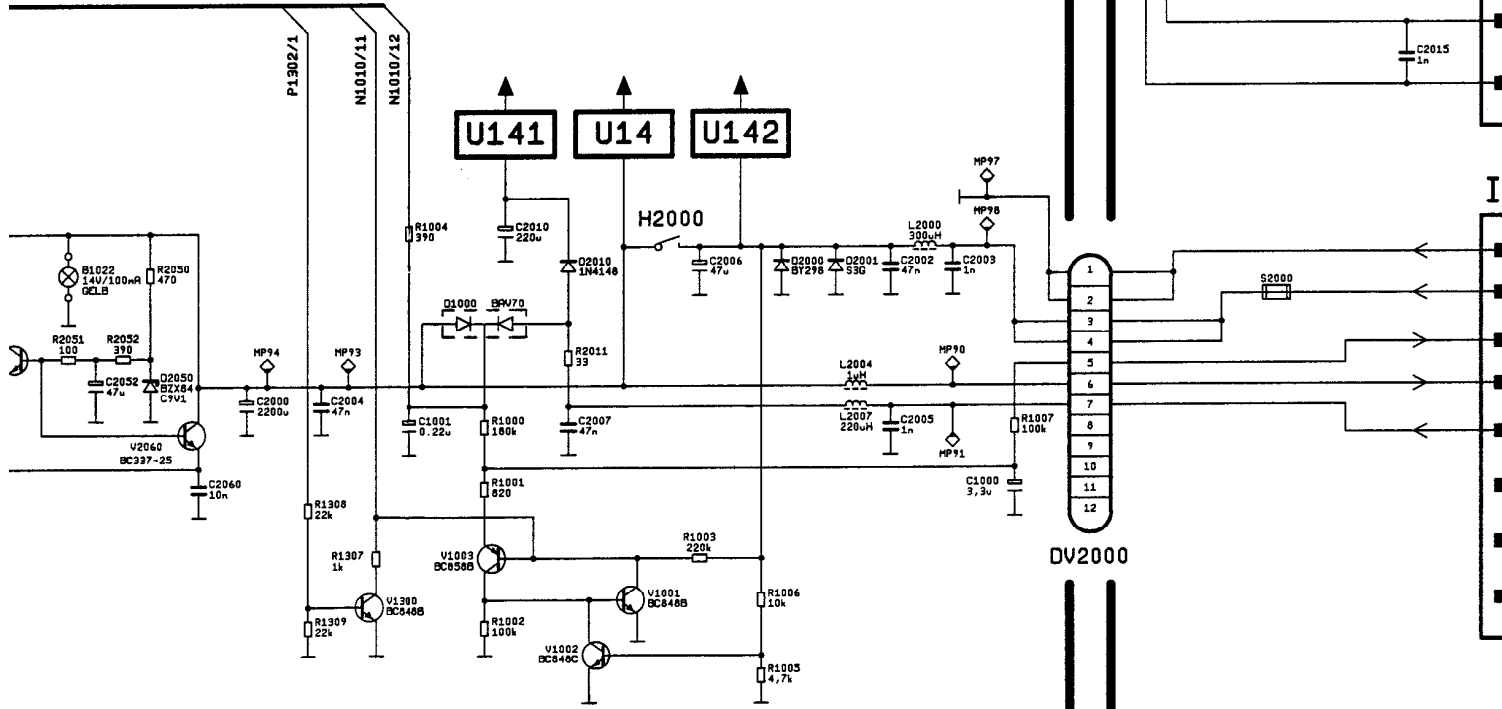
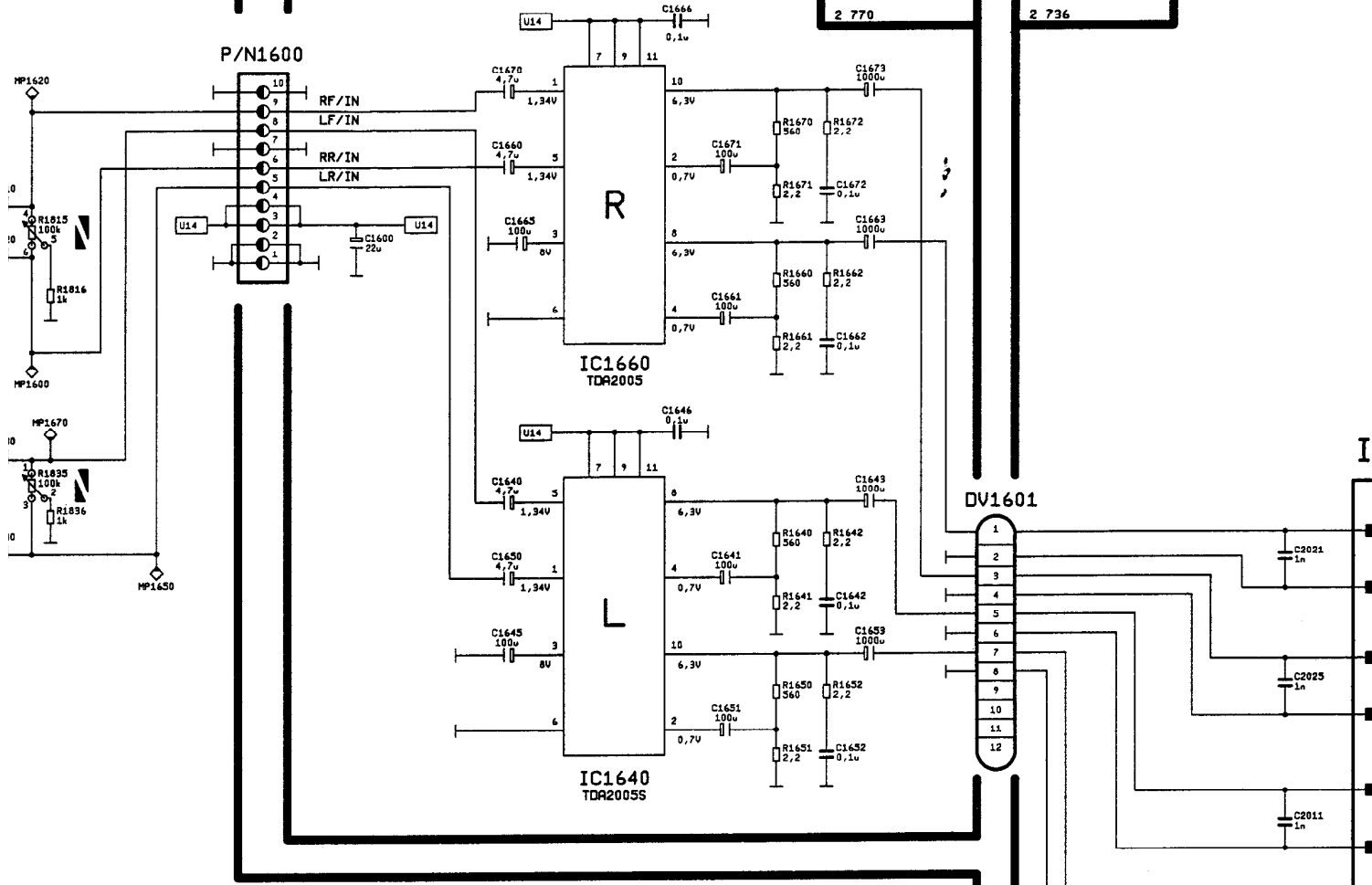
# PREAMPLIFIER



# AMPLIFIER

PL-10  
2 770

PL-74  
2 736



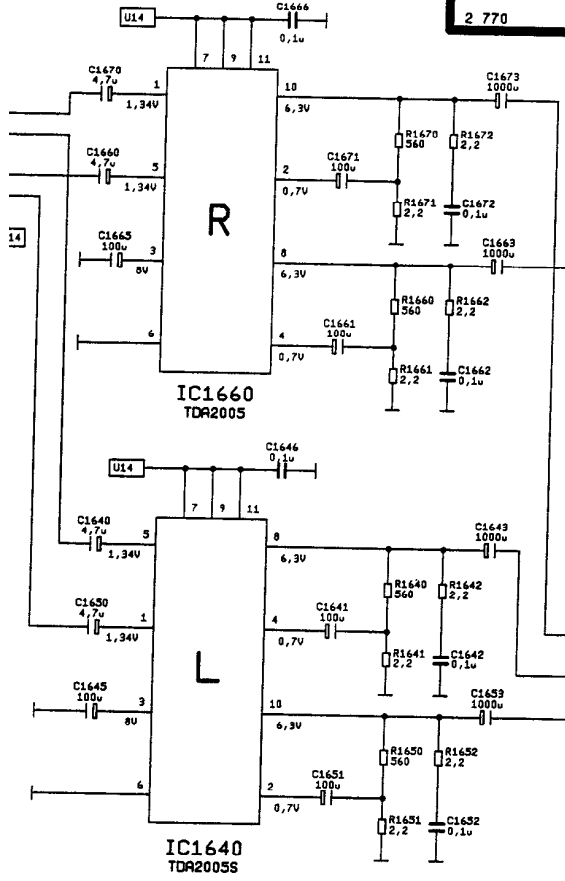
# SUPPLY

PL-20  
2 733

# AMPLIFIER

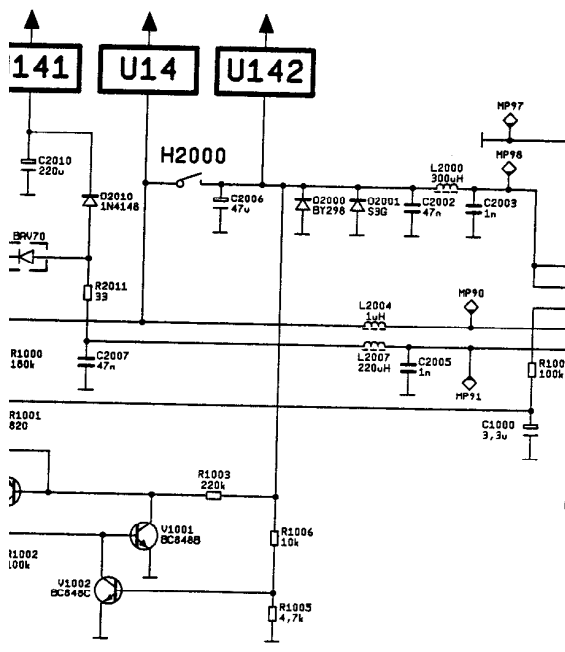
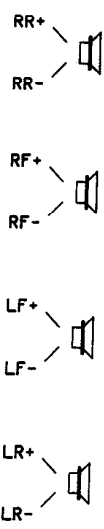
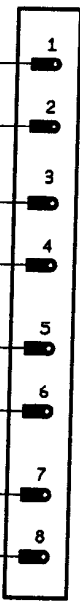
PL-10  
2 770

PL-74  
2 736



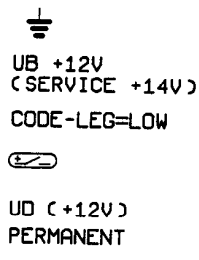
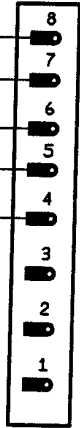
DV1601

II



DV2000

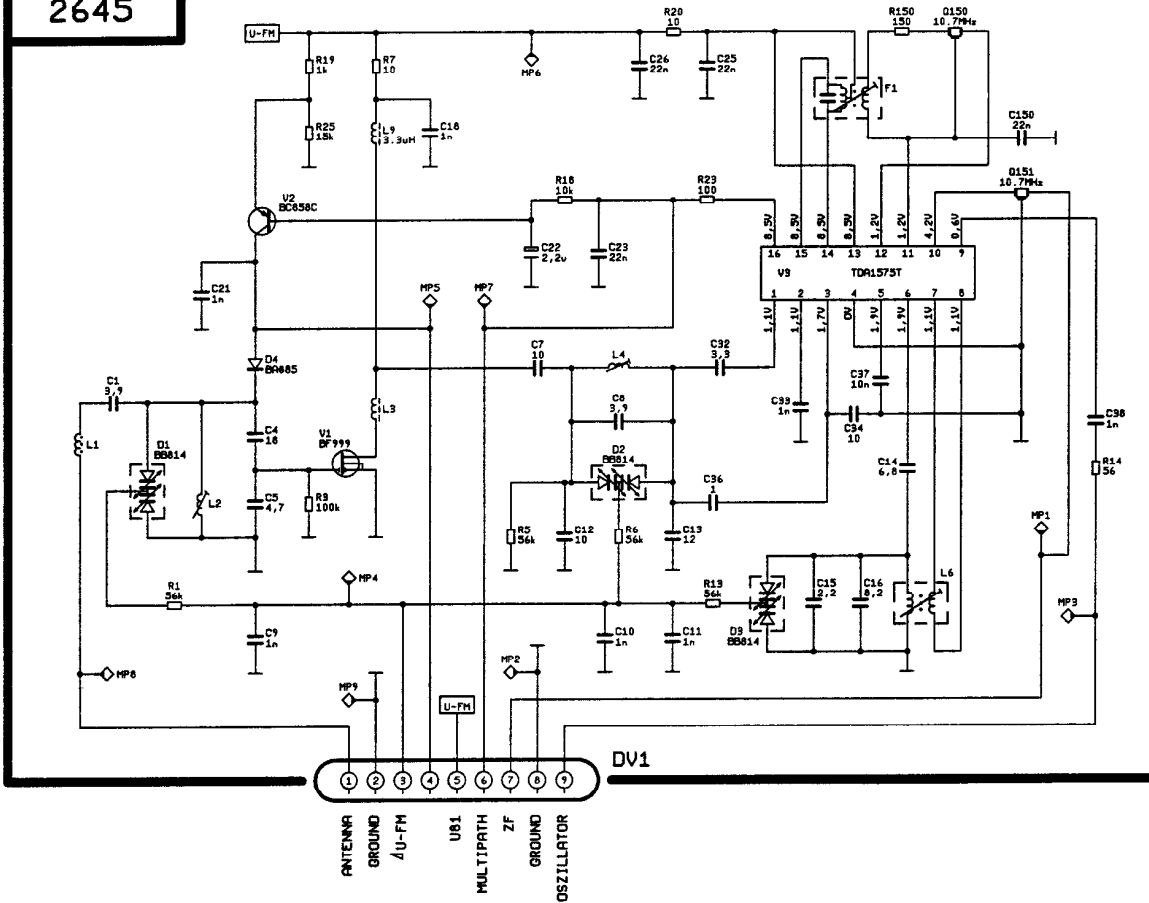
III



PL-20  
2 733

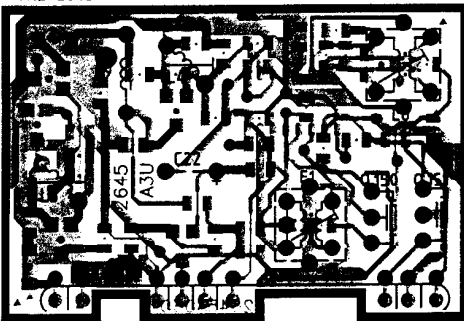
PL 06  
2645

# FM-MODUL - TUNER



PL 06 ↑

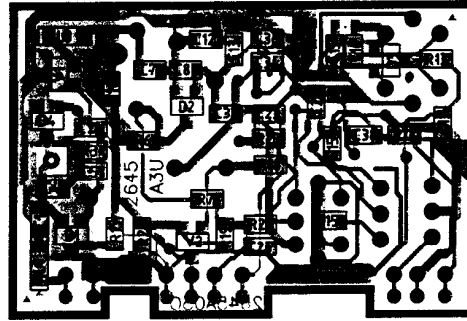
VKD 2645



Ant.  
Masse  
ΔU FM  
SL-Emph.  
U81  
ZF  
Masse  
Osz.

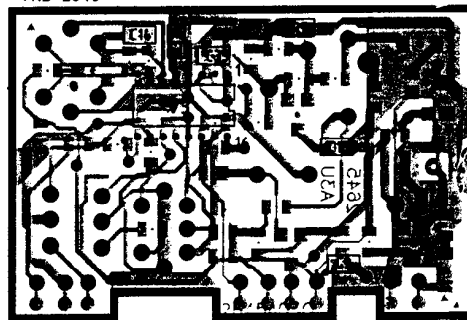
PL 06 CHIP ↑

VKD 2645



PL 06 CHIP ↓

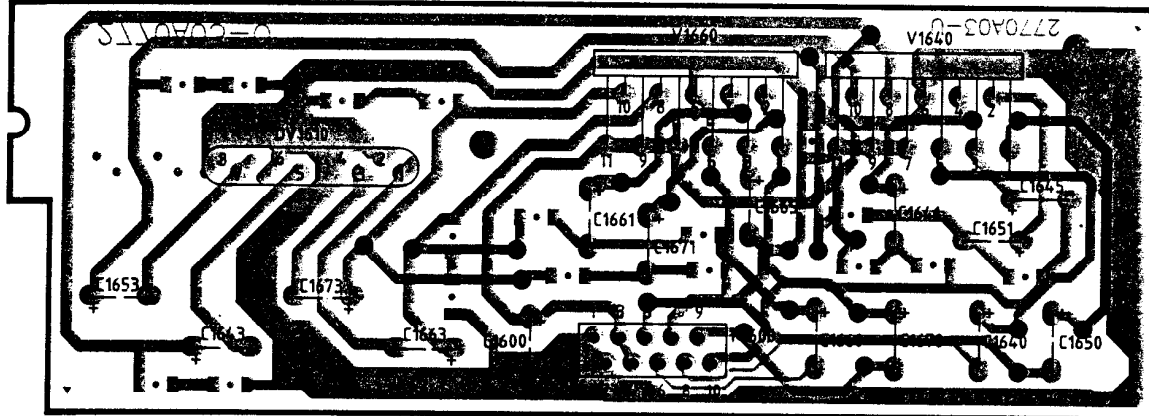
VKD 2645





AF-Board  
PL 10

VKD 27 70



| DV1610  |         |
|---------|---------|
| 1 = RR+ | 5 = LF+ |
| 2 = RR- | 6 = LF- |
| 3 = RF+ | 7 = LR+ |
| 4 = RF- | 8 = LR- |

| P1600      |             |
|------------|-------------|
| 1 = Ground | 6 = RR      |
| 2 = Ground | 7 = Ground  |
| 3 = U14    | 8 = LF      |
| 4 = U14    | 9 = RF      |
| 5 = LR     | 10 = Ground |

AF-Board  
CHIP  
PL 10

VKD 27 70

